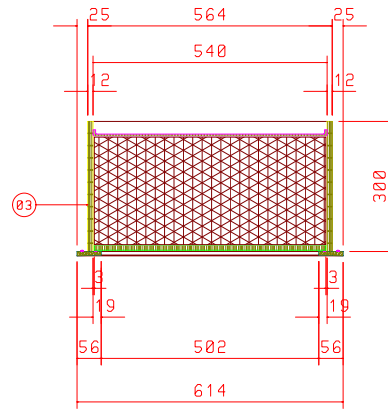
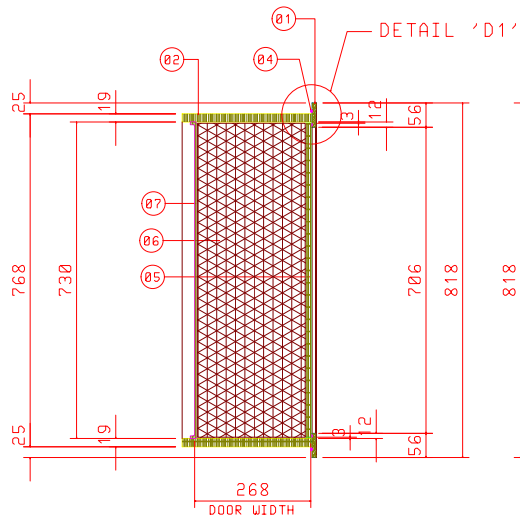


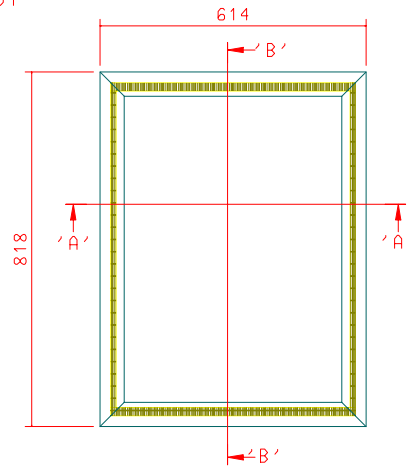
DETAIL 'D1'



SECTION 'A-A'



SECTION 'B-B'



PLAN VIEW

ATTIC ACCESS DOOR ASSEMBLY, MODEL 22 x 30

ITEM	DESCRIPTION	DRAWING NO.
01	56mm WIDE WOODEN DOOR TRIM ASSEMBLY	AAD-M 22-30-002
02	19mm THICK WOOD (BOX SHORTER SIDES)	AAD-M 22-30-002
03	12mm THICK WOOD (BOX LONGER SIDES)	AAD-M 22-30-002
04	WEATHER STRIP	AAD-M 22-30-002
05	LAMINATED CABINET BOARD OR WOOD PAINTED WHITE GLOSS	AAD-M 22-30-003
06	250mm THK EXPANDED POLYSTYRENE	AAD-M 22-30-003
07	SEALING GASKET- 6mm THK RUBBER PIPE/DUCT INSULATION	AAD-M 22-30-003

Bottic Door Energy Conservation Products
P O BOX 15
Mansfield, MA 02048-0015
U.S.A

DRAWING TITLE
ATTIC ACCESS DOOR, MODEL 22 x 30
GENERAL ARRANGEMENT

DATE 06.11.06
DRAWN Majo
CHECKED
APPROVED Mark D Tyrol

REV	DATE	AMENDMENT

DRAWING NO.
AAD-M 22-30-001
SCALE 1 : 15
REV. 0